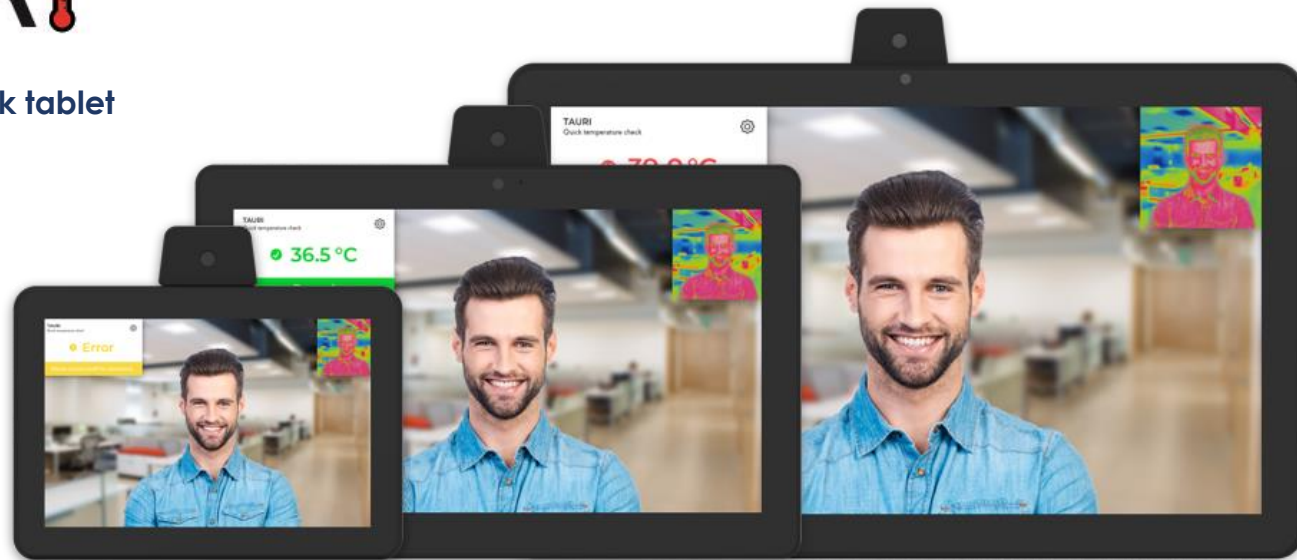


TAURI™

Temperature check tablet



TAURI 10inch

TAURI 15.6inch

TAURI 21.5inch

Patent pending
39240619



Temperature Check



Efficiency



High accuracy

Product overview

To ensure people that access your property are not running a high temperature, Glory Star has developed the new Infrared temperature sensor/detector. It provides alerts when a person runs a high temperature, therefore should not enter your premises.

The system is calculated with an algorithm for object heat- and fast detection temperature-accuracy, tolerance at +/- 0.5 degree Celsius, with a refresh rate at 64Hz.

The drivers are compatible with Linux, Windows and Android.

First Layer of screening people 's temperature to premises

More Hygienic as the sensor is not touching a person's face/ears

Multiple devices could be monitored by one person to increase efficiency



Glory Star
Authorized Channel Partner



		GAD101-A Part#TAURI		NEB156 Part#TAURI		NEB215 Part#TAURI	
Screen size		10"		15.6"		21.5"	
Panel info.	Resolution	1280 x 800		1920 x 1080			
	Brightness	350 cd/m2		250 cd/m2			
	Contrast ratio	800:1		1000:1			
	Aspect Ratio	16:10		16:9			
	Active Display Area	134.8 x 216.2mm		344.16 x 193.59 mm		476.06 x 267.786 mm	
	Viewing angle	H:170°/ V:170°		H:178°/ V:178°			
	Touch Tech.	5 point cap touch (6H semi-tempered glass)		10 point cap touch (reflective glass)			
Hardware & OS	CPU	RK3288 Cortex A17, Quad core 1.8GHz					
	RAM	2GB DDR3	2GB DDR3 (up to 4GB DDR3)		2GB DDR3		2GB DDR3 (up to 4GB DDR3)
	ROM	8GB eMMC Flash	8GB (up to 16GB) eMMC Flash		8GB eMMC Flash		8GB (up to 16GB) eMMC Flash
	OS	Android 7.1					
Software	TAURI features	Define temperature range for alert Adjust volume of alert sound OTA Feature Update Heat Map Generation Multi Language support					
Video/ Image	Video format	H.265, VP8, RV, WMV, AVS, H.263. MPEG4, HTML5, Flash 10					
	Audio format	MP3/ WMA/ AAC etc.					
Video/ Image Audio Communication	Image format	JPEG, BMP, PNG		H.265, VP8, RV, WMV, AVS, H.263, MPEG4, Up to 4K x 2K decoding, HTML5, Flash 10			
	Speaker	1W x 2					
	Bluetooth	EDR 4.0					
Audio	Wi-Fi	802.11 b/g/n 2.4GHz and 5GHz		2W x 2			
Communication General information	Ethernet	10/100 LAN					
	Color	Black					
	I/O	RJ45 x 1; USB x 1; SD slot x 1; Micro-USB x 1; 3.5mm audio x 1; Recover x 1. expandable 2 USB					
General information Infrared temperature Sensor	AV capability	Front Facing Camera 2 MP fixed focus					
	Included in Box	Tablet, Power Adaptor, Power cable		RJ45 x 1; USB x 2; SD slot x 1; Micro-USB x 1; 3.5mm audio x 1; Recover x 1; GPIO Support		RJ45 x 1; USB x 4; SD slot x 1; Micro-USB x 1; 3.5mm audio x 1; Recover x 1; RS232 x 2; GPIO Support	
	Sensors	G-sensor					
	Consumption	11W					
	Power input	12V 2A					
	Operating Environment	Operating: 32°F to 104°F (0°C to 40°C); Storage: -4°F to 122°F (-20°C to 50°C) Operating: 20%-80%; Storage: 10%-95%		15W		32W	
	Certification	CE, FCC, ROHS		12V 5A			
	Language	Multi language					
	VESA	VESA 75					
	Power input	3.3 – 3.6V, 50mA, USB connect					
	Size	65.2mm x 38.5mm x 22mm		VESA 100			
Infrared temperature Sensor Dimension Dimension	Temperature check distance	0.3m – 1m					
	Temperature check range	30°C - -45°C					
	Temperature check error	±0.5°C@1Hz					
	Size (W x D x H)	258 x 34 x 218 mm					
	Product Weight	1.27 kg					
Dimension	Size (W x D x H)	258 x 34 x 218 mm		394 x 44 x 291 mm		535 x 48 x 366 mm	
	Product Weight	1.27kg		2.4kg		4.74kg	
	Gift Box Size	393 x 72 x 268 mm		444 x 112 x 378 mm		601 x 360 x 476 mm	
	Master Carton Size	560 x 410 x 390 mm		462 x 356 405 mm		601 x 360 x 476 mm	
	Master Carton Weight	16.4kg		9.6kg		18.3kg	
	Units per Master Canton	10pcs		3pcs		3pcs	

TAURI™ Temperature check tablet

*see dimensional drawings for details



Q&A

Q: How accurate is the Infrared Sensor?

A: +_ 0.3 degree Celsius

Q: What is the distance?

A: 0.5 to 1 meter

Q: What is the speed?

A: within 1 second

Q: How many people can it detect one time?

A: 1 person at a time.

Q: If there are groups of people trying to enter, will it slow-down the line of people entering?

A: Yes, it would, people would still need to enter one by one.

Q: Do we need an app/software with this?

A: We have a ready app that detects temperature and locks down through STAROS.

Q: Is there an option to store the data of people checked? If yes, how far back?

A: Could develop this later, but it involves building a database and cloud management system, however there are privacy issues to be considered.

Q: Is the unit able to detect people of different heights (e.g. children, adults 3' to 6.5')?

A: There's a visible sensor and a camera that will show your face through the LCD screen. From there you can see your head and also temperature.

Q: Is there a specified height the product should be placed?

A: There is a camera in the tablet; as long as you can see your face in the screen, it will show.

Q: How about people with head scarf? What point of the head is measured.

A: Need to place head within 0.5 meter from the sensor for accurate reading

Q: Are there any data/tests available regarding the accuracy of this unit?

A: The accuracy is at 0.3 degree Celsius which is provided by our component manufacturer located in Germany. For the past few months this module has been implemented with projects for access control.

Q: How many people per hour can pass through?

A: Around 1800 person per hour

Q: Is there a chance it will overheat?

A: It can get heated up upon long term use, but we have heat dissipation design to withstand this.

Q: How's the unit attached to the tablet?

A: VESA 100 x 100 or 75 x 75

Q: Is there a user interface that will be running on the device or is this just a hardware only solution?

A: Yes, it is a total solution of hardware, software and user interface.

Q: How does the alert message work, is there display and sound too?

A: On the display screen, it would show the person's face, the person's current temperature, and when it runs a temperature higher than what you have set as normal, the tablet would have an alert sound made.

Q: What is the degree that it would stop access? Or detect as alert?

A: You are able to customize settings to set temperature threshold.

Q: Does the devices need a special configuration?

A: Right now it's just plug and play, no special configuration required.

Q: Dual Language - Is it possible to have dual-language appear in the app (e.g. French and English or only one language at the time?)

A: Right now only one language, adding dual language could be a custom make project.

Q: Do we have approval from any medical body (e.g. FDA)

A: It's not an approved FDA medical device, undetermined if this classifies as a medical device as it is not making any diagnosis.

Q: Is it FCC and CE compliant?

A: Yes, it is EN 60950-1:2006+ A11:2009+A1:2010+A12:2011+A2:2013. FCC Rule Parts 15C.

Q: Is there a document from to explain that the measurement of the temperature is not affected by a person who just exercised or drank hot beverage (elevate body heat)?

A: No, the sensor detects actual physical temperature. Usually when this happens, you need to do an independent check with that person.

Q: Is TAURI calibrated?

A: TAURI sensor has been calibrated with a thermal black body before shipment. When the sensor activates, it takes 2-3 minutes to auto calibrate to reach thermal stability. If it's already been calibrated before shipment, TAURI will also auto calibrate itself when it boots up.

Q: Show movies on Tauri?

A: In mid June- with no cost in updating TAURI- there will be a customizable Screen Saver Video that allows to play customized Video when no one is scanning at TAURI. This allows companies to promote their personalized message.

Q: Is it possible to show on dual screen?

A: To respect and protect the temperature result data of the users while scanning, TAURI can be connected to a separate monitor through its HDMI output and the results of the temperature data is shown to a secondary screen but not on TAURI.

Q: Can the tablet be portrait mounted?

A: Currently, TAURI is designed in landscape mode. But the new TAURI 7 will be in portrait mode.

Q: During operation does the tablet need to be connected to the WIFI?

A: No it does not, it only needs to be connected to WIFI during the OTA (over the air) update

Q: Is there a sleep mode on TAURI?





A: Right now it is at constant on, however there's a power button at the back that you can press that will black out the screen like cellphone.

Q: Is TAURI DSGVO ?

A: Tauri is DSGVO compliant



Fixation

	Small size	Medium size	Large size	Wall mount
				
Available device	10 & 15 inch	15 & 21 inch	All size	All size



Glorystar reserves the right to change or update, without notice.

21/F, 8 Rockwell, Hidalgo Drive, Makati 1600.

mae@bromheadholdings.com